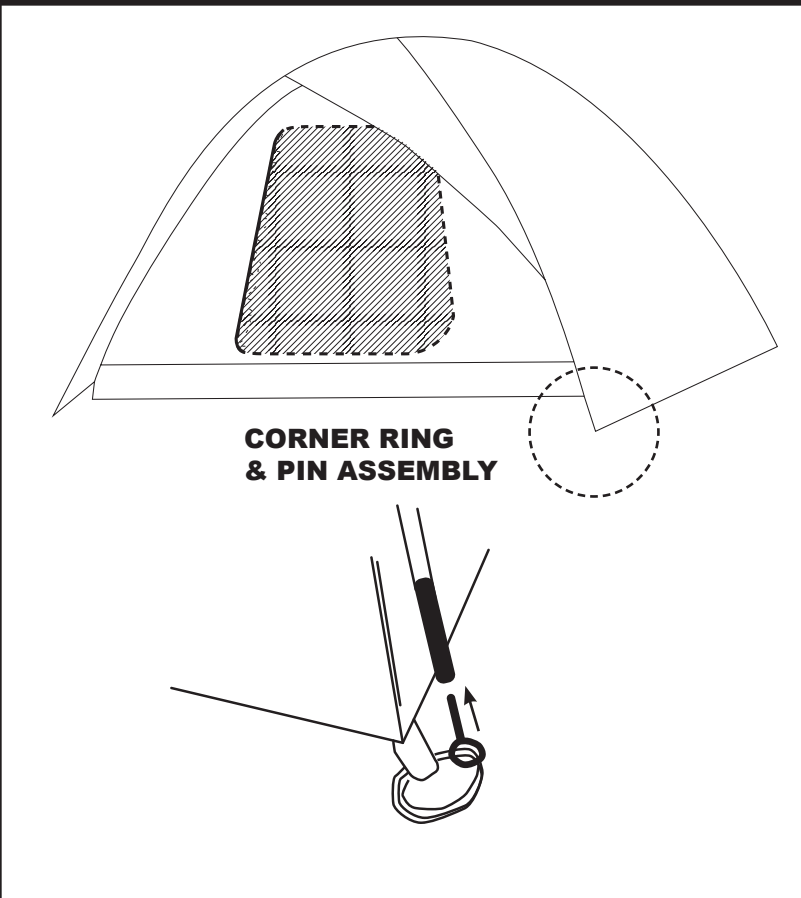


- 1** SELECT A NICE, CLEAN, SMOOTH CAMPSITE. SHARP STONES OR STICKS MAY PUNCTURE THE FLOOR OF YOUR TENT. FACE THE DOOR OF THE TENT IN THE DESIRED DIRECTION DO NOT STAKE DOWN THE TENT YET.
- 2** SEPARATE THE THREE FIBERGLASS TENT POLES. THE TWO LONGEST POLES ARE TO SUPPORT THE TENT AND THE THIRD POLE (WITH PLAIN ENDS) IS FOR THE RAIN FLY.
- 3** INSERT EACH PIN ON THE TENT CORNER RING INTO THE POLE END FERRULE. MAKE CERTAIN THAT EACH MAIN POLE GOES FROM ONE CORNER TO THE DIAGONALLY OPPOSITE CORNER. TIE THE POLES TOGETHER AT THE TOP PEAK WITH THE TIE TAPES AT THE TIP TOP OF THE TENT. CLIP ALL THE RESPECTIVE POLE CLIPS TO THE POLES, STARTING FROM THE TOP. THEN THE TENT WILL BECOME UPRIGHT
- 4** POSITION THE TENT IN THE DIRECTION THAT YOU DESIRE AND THE STAKE CORNERS TO THE GROUND, PULLING OUT THE FLOOR TO REMOVE ANY INTERIOR WRINKLES. DO NOT PULL TOO TIGHTLY. PLACE THE STAKES THROUGH THE RINGS AT THE POINT OF THE LOWER POLE ENDS.
- 5** NOW SPREAD OUT THE RAIN FLY AND PLACE THE FLY POLE INTO THE POLE POCKETS LOCATED IN THE FRONT AND REAR EDGES OF THE FLY. TIE THE FLY TIE TAPES AROUND THE CENTER OF THE FLY POLE TO HOLD THE POLE IN POSITION. SQUARE UP THE RAIN FLY MAKING CERTAIN THAT THE FRONT AND, REAR HOODS PROTRUDE OVER THE FRONT DOOR AND THE REAR WINDOW. THEN STAKE THE ELASTIC CORNER LOOPS OF THE FLY TO THE GROUND APPROX. 6-8 INCHES FROM THE TENT BASE TO ALLOW WATER TO DRAIN AWAY FROM THE TENT FLOOR THEN FINISH STAKING THE REMAINING FLY STAKE LOOPS TO THE GROUND.
- 6** DISMANTLING THE TENT IS THE REVERSE OF THE ABOVE INSTRUCTIONS.



CORNER RING & PIN ASSEMBLY

! CAUTION !

KEEP FIRE AND INFLAMMABLES AWAY FROM TENT • DO NOT LEAVE CAMPFIRES UNATTENDED • DO NOT USE COMBUSTIBLE HEATERS OR LANTERNS, ETC. INSIDE AT ANY TIME • DO NOT SPRAY TENT WITH INSECTICIDE OR REPELLENT NOT SPECIFICALLY RECOMMENDED FOR SYNTHETIC TENT FABRICS • IF LEAKING OCCURS AT THE SEWN SEAMS, USE AN APPROVED SEAM SEALER • ALWAYS TAKE DOWN YOUR TENT WHEN NOT IN USE • PROLONGED EXPOSURE TO SUNLIGHT WILL DEGRADE THE SYNTHETIC FABRIC • WE ARE NOT RESPONSIBLE • PACK AWAY YOUR TENT AFTER IT IS THOROUGHLY DRY TO AVOID MILDEW

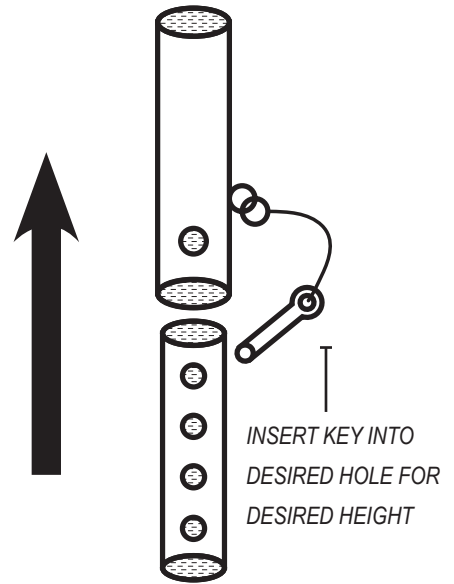
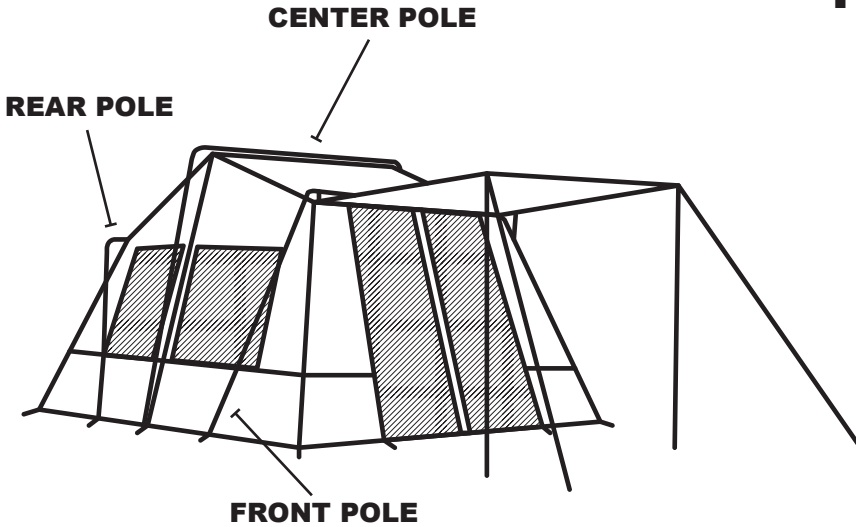
LIMITED WARRANTY - WARRANTS TO THE ORIGINAL PURCHASER THAT OUR PRODUCTS ARE FREE FROM DEFECTS IN MATERIALS OR - WORKMANSHIP FOR NINETY (90) DAYS. IF DEFECTS IN WORKMANSHIP SHOULD OCCUR, PLEASE CONTACT OUR SERVICE CENTER. WE ARE NOT RESPONSIBLE FOR NORMAL WEAR AND TEAR OR DEFECTS CAUSED BY ACCIDENT, ABUSE, ALTERATION, MISUSE OR IMPROPER CARE. ALSO, NOTE THAT THE PROLONG SUN EXPOSURE WILL DETERIORATE THE SYNTHETIC FABRIC, OVER WHICH WE HAVE NO CONTROL. IN NO EVENT SHALL MMI OUTDOOR INC. BE LIABLE FOR INCIDENTAL OR CONSEQUENTIAL DAMAGES! SOME STATES DO ALLOW LIMITATION OR THE EXCLUSION OF LIMITATIONS OF INCIDENTAL OR CONSEQUENTIAL DAMAGES, SO THE ABOVE LIMITATIONS OR EXCLUSIONS MAY NOT APPLY TO YOU. THIS WARRANTY GIVES YOU SPECIFIC LEGAL RIGHTS AND YOU MAY HAVE OTHER RIGHTS WHICH VARY FROM STATE TO STATE.

NOTE

DO NOT LEAVE YOUR TENT IN DIRECT SUNLIGHT FOR LONGER THAN NECESSARY! THE SUN'S ULTRA VIOLET (UV) LIGHT DEGRADES PRACTICALLY EVERY SYNTHETIC FABRIC, MAKING IT WEAK AND FADED. UV DAMAGE IS NOT COVERED BY OUR GUARANTEE!

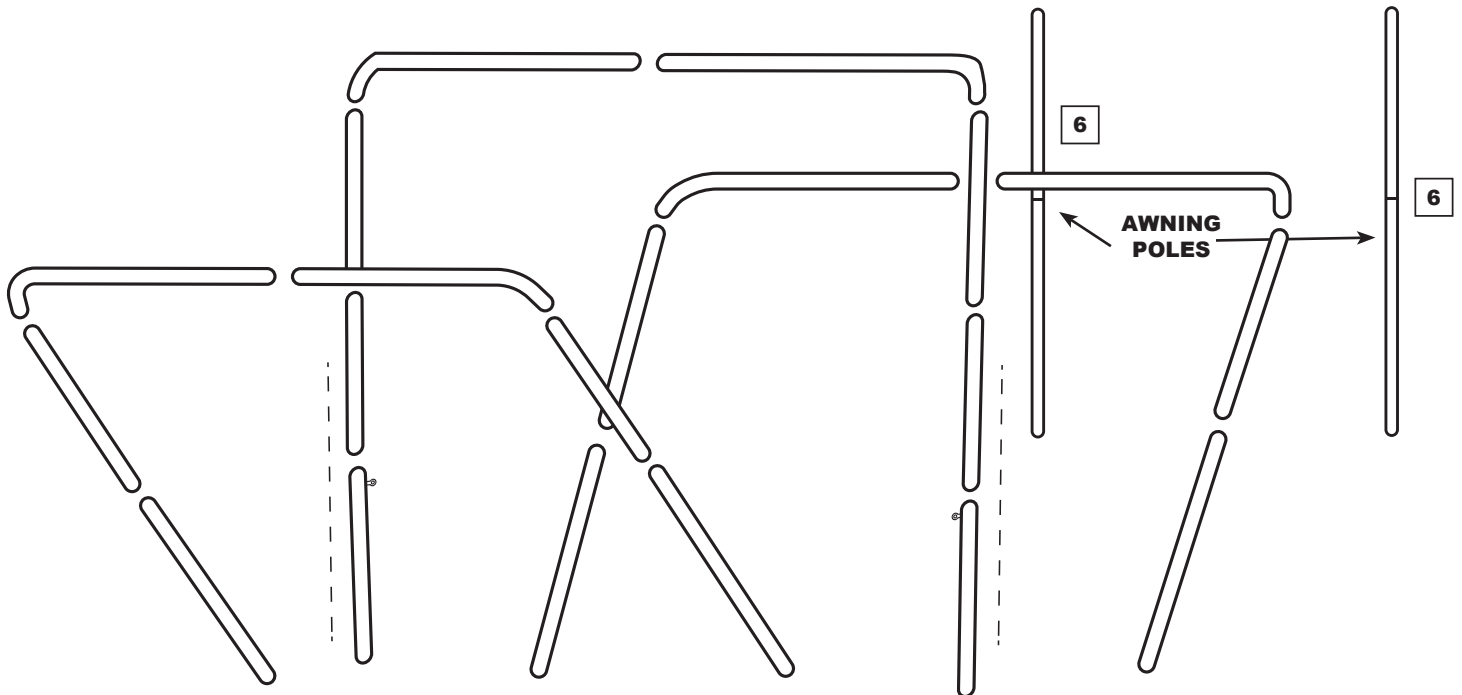
TENT LAYOUT OVERVIEW

**ADJUSTABLE CENTER
POLE ASSEMBLY DETAIL**



FRAME ASSEMBLY DETAIL

1 CENTER RIDGE



LIMITED WARRANTY - WARRANTS TO THE ORIGINAL PURCHASER THAT OUR PRODUCTS ARE FREE FROM DEFECTS IN MATERIALS OR - WORKMANSHIP FOR NINETY (90) DAYS. IF DEFECTS IN WORKMANSHIP SHOULD OCCUR, PLEASE CONTACT OUR SERVICE CENTER. WE ARE NOT RESPONSIBLE FOR NORMAL WEAR AND TEAR OR DEFECTS CAUSED BY ACCIDENT, ABUSE, ALTERATION, MISUSE OR IMPROPER CARE. ALSO, NOTE THAT THE PROLONG SUN EXPOSURE WILL DETERIORATE THE SYNTHETIC FABRIC, OVER WHICH WE HAVE NO CONTROL. IN NO EVENT SHALL MMI OUTDOOR INC. BE LIABLE FOR INCIDENTAL OR CONSEQUENTIAL DAMAGES! SOME STATES DO ALLOW LIMITATION OR THE EXCLUSION OF LIMITATIONS OF INCIDENTAL OR CONSEQUENTIAL DAMAGES, SO THE ABOVE LIMITATIONS OR EXCLUSIONS MAY NOT APPLY TO YOU. THIS WARRANTY GIVES YOU SPECIFIC LEGAL RIGHTS AND YOU MAY HAVE OTHER RIGHTS WHICH VARY FROM STATE TO STATE.

MMI OUTDOOR INC.
6101 BREWBAKER BLVD.
MONTGOMERY, AL 36116
1-800-826-0446